
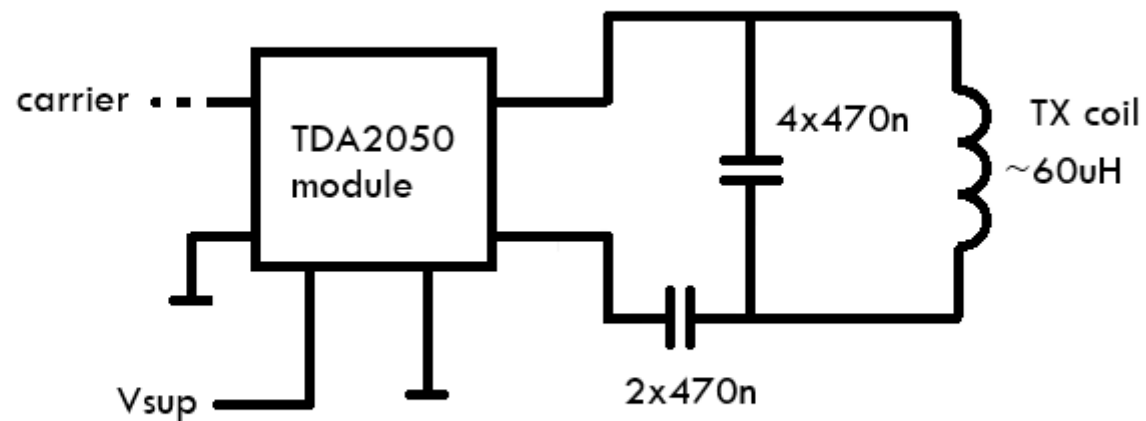
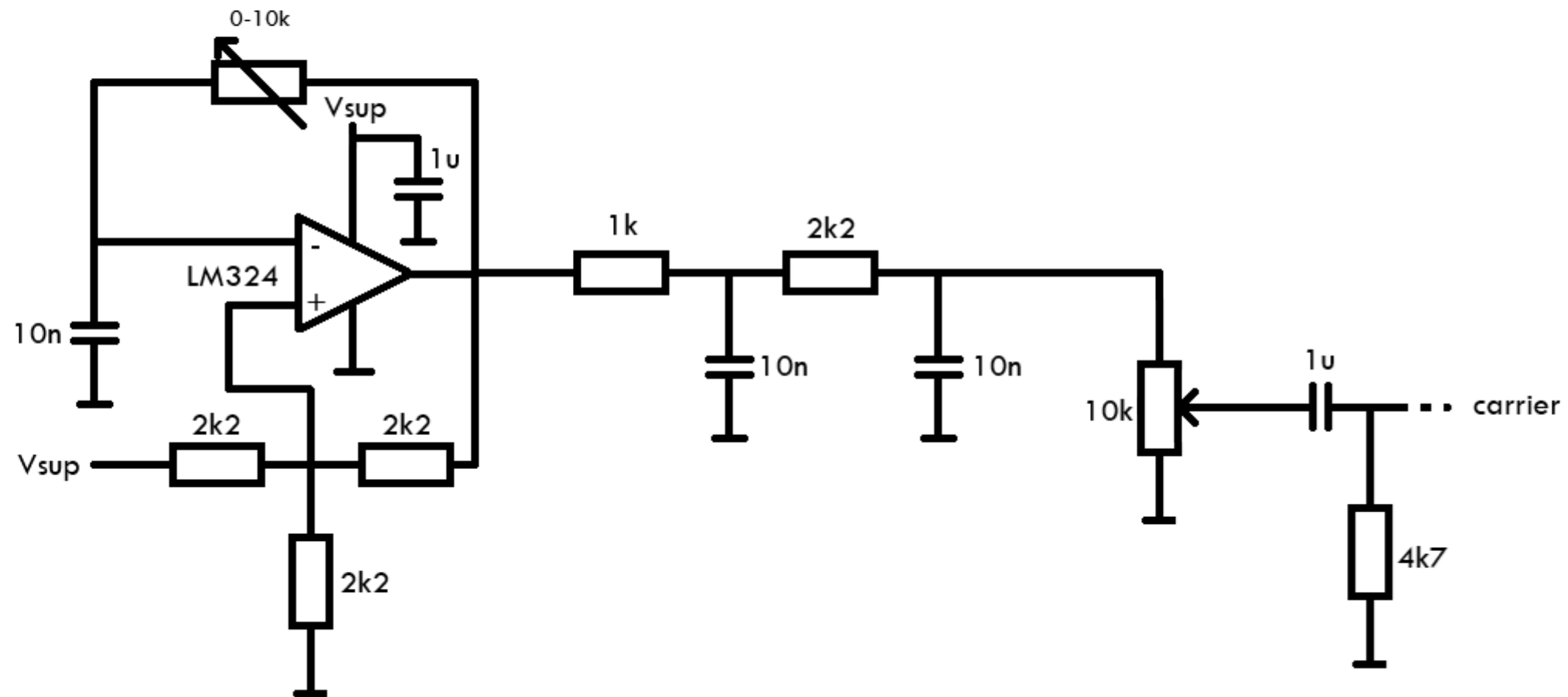


Vsup = 15 - 30Vdc


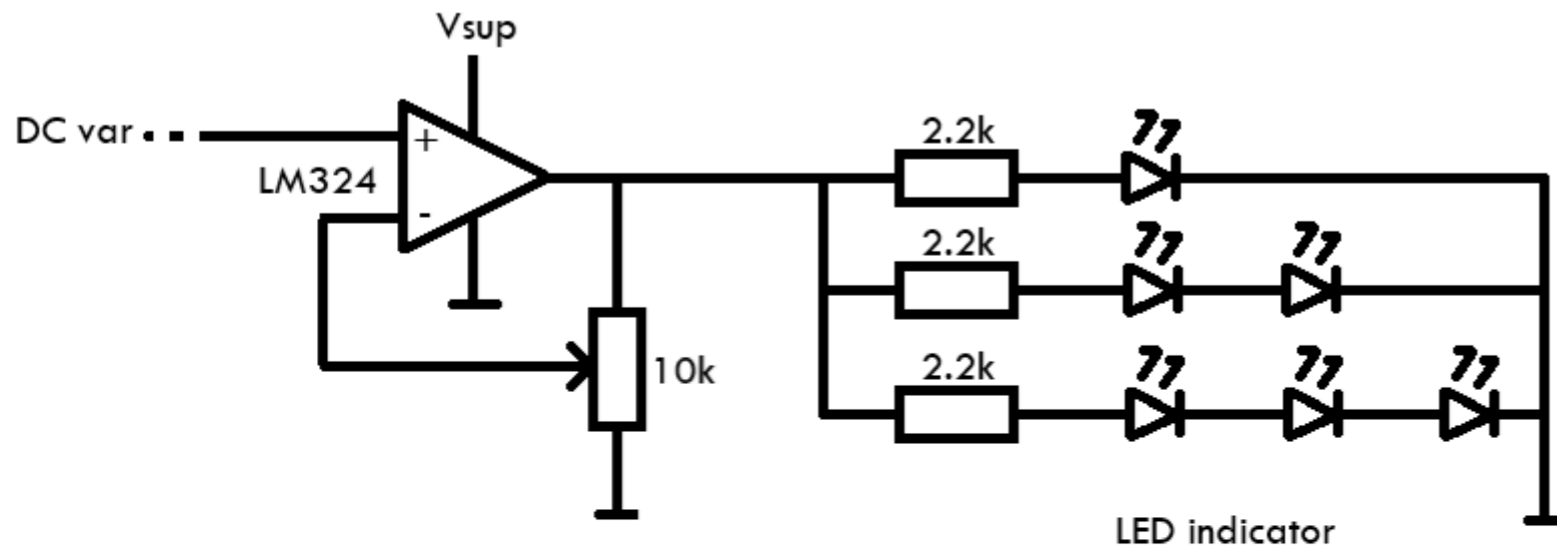
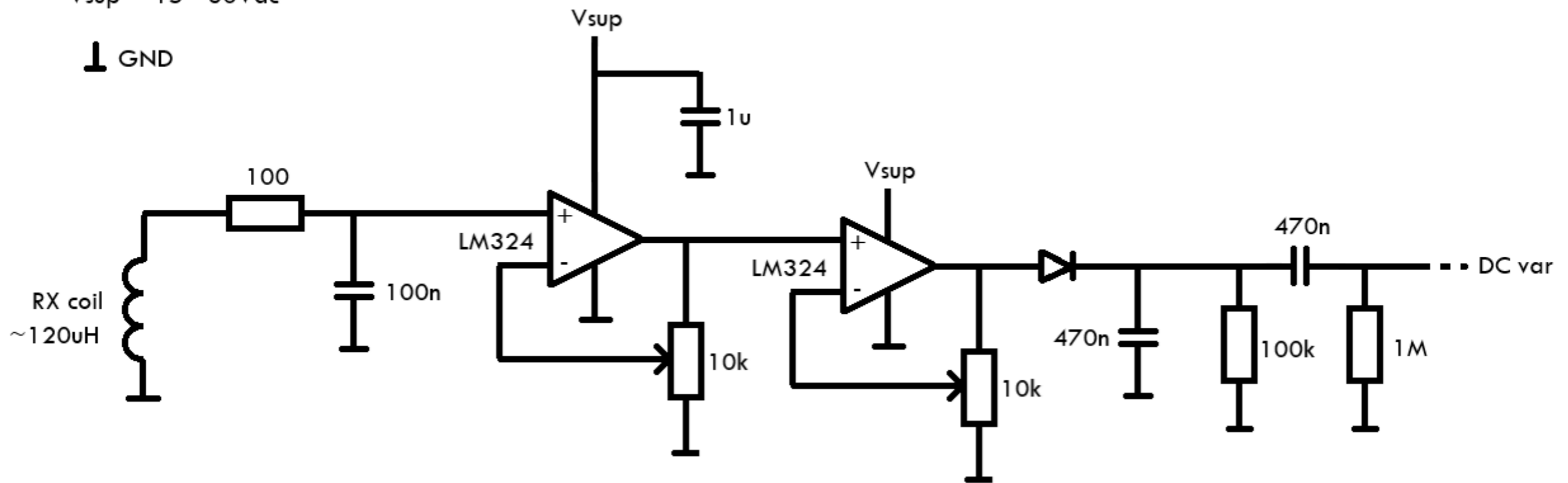
⌴ GND



simple metal detector
transmitter (p1/2)
4-11-2024
version 1

Vsup = 15 - 30Vdc

⌊ GND



simple metal detector
receiver (p2/2)
4-11-2024
version 1